



AmericanDoor.com



(888) 226-3667  
(631) 586-8006  
(718) 895-6136

# Titan Rolling Steel Door

Model 800: Giant Heavy Duty Rolling Service Door



## Go Big or Go Home

When every other door just can't fill your frame, our Titan Model 800 Rolling Steel Door just might be your answer. Maxing out at a whopping 70 feet wide by 90 feet tall, this enormous service door is the toughest beast of them all.

Boasting of half foot single crown slats and cast iron, zinc-plated windlocks, the Titan Model 800 can withstand 85+ mph winds, and even has options allowing for operation during extreme weather. It can also be designed even more rugged.

>> Choose 18 Gauge or 14 Gauge steel

>> Standard 20 PSF Windload. Higher Windload Available

>> Articulating Windlock Options for Extreme Operation

>> Weathersealed Bottom Bar

**AmericanDoor.com**

**(631) 586-8006 (718) 895-6136**

9 LUCON DR, DEER PARK, NY 11729

## STANDARD FEATURES OVERVIEW

### CONSTRUCTION

**MAX HEIGHT** 90' (27.4 meters)

**MAX WIDTH** 70' (21.3 meters)

**OPERATION** Chain Hoist. Optional Motorized (recommended)

**CURTAIN** From 18 Gauge Steel to 14 Gauge Steel.

**COATING** Hot-dipped Galvanized or Powder-Coated

**BRACKETS** 3/8" Steel

**GUIDE ANGLES** 1/4" Steel

**SLAT PROFILE** 6" Single Crown

**ENDLOCKS** Alternating Zinc-Plated Cast Iron

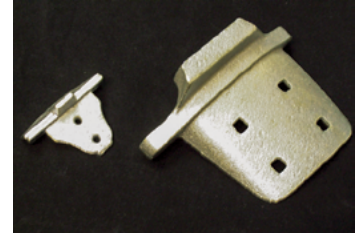
**WINDLOAD** 20 PSF. (Optional 55 PSF for Florida and Dade County specifications)

**BOTTOM BAR** Double Angle with Astragal Weather Seal.

### Other Options:

High Windload; Articulating Windlocks; Color Choice with Powder-Coating; Guide Brush Seal; Lintel Brush Seal; Safety Systems; Sloping Bottom Bar; Pass Doors (Wicker Doors)

### About Windlocks:

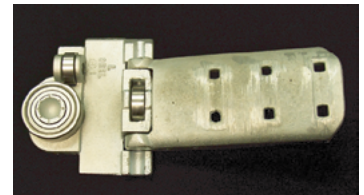


Left: Miami-Dade 55 PSF windlock for 3" slat.

Right: Standard Titan windlock for 6" slat.



Roller Windlock: Allows door to operate during intermediate winds.



Articulating Roller Windlock: Allows for High Winds Operation.

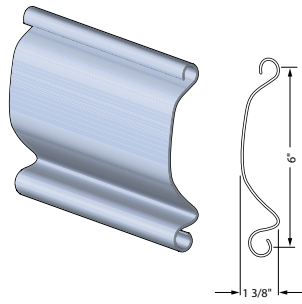
### Standard Powder Coat Options:



**AmericanDoor.com**  
**(631) 586-8006 (718) 895-6136**

9 LUCON DR, DEER PARK, NY 11729





**No. 9  
Titan Oversized Slat**



**Bottom Bar  
with Weatherseal**



**Some Safety and Security Systems Options for Motorized Doors:**

**Photo Eye**  
Detects people and vehicles passing the eye

**Safety Edge**  
Detects the door closing on an object

**Push Button Control**  
Station to control the door

**Key Switch Control**  
Restricted access control

**In-Ground Loop**  
Senses vehicles approaching

**Radio Remote**  
Remotely operate the door

**Horn**  
Alerts bystanders that door is in operation

**Strobe Light**  
Alerts bystanders that door is in operation

and more...

**We're happy to assist you with all of your security door needs. Just call**



**AmericanDoor.com**  
**(631) 586-8006 (718) 895-6136**

9 LUCON DR, DEER PARK, NY 11729

