

Fire Resistant Rolling Shutters Model 570



Beautiful, Clean, and Secure

The integral frame Model 570 rolling counter shutter is perfect for pharmaceutical, retail, and food service applications. It's fully welded continuous frame is assembled at the factory for openings as wide as 9' 5" and 5' 5" high.

Made from 22-gauge stainless or galvanized steel, the Model 570 rolling shutter protects your business while allowing controlled access between designated areas. Its interlocking slats with alternate steel endlocks keep the curtain neatly aligned for a snug fit and aesthetic appeal.

- >> Extreme Fire Protection
- >> Commercial Use Durability
- >> UL 1 - 1/2 Hour Class B Label
- >> 16-Gauge Frame; 14 Gauge Sill
- >> Fully Welded Integral Frame
- >> Fusible Link

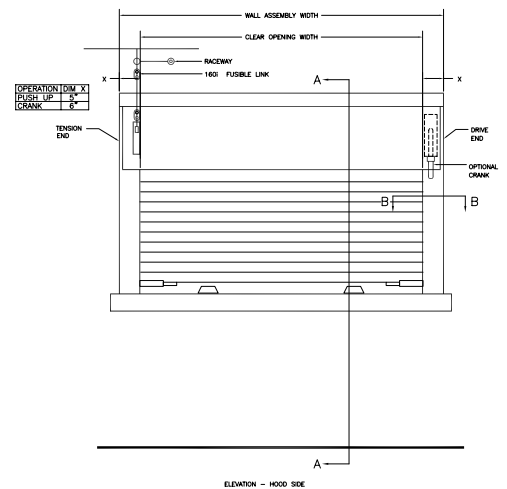
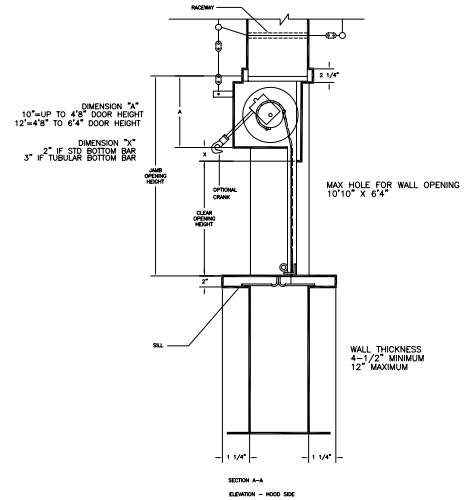
STANDARD FEATURES OVERVIEW

CONSTRUCTION

MAX HEIGHT	5'5" (1.7 meters)
MAX WIDTH	9'5" (2.9 meters)
MOUNTING	Between Jambs
OPERATION	Manual Lift-Up
CURTAIN	Galvanized Steel, Stainless Steel
SILL	14-Gauge Stainless Steel Completely Enclosed with Fire Proof Acoustic Filler
BOTTOM BAR	Galvanized steel or Stainless Steel.
INTEGRAL FRAME/GUIDES	16-gauge No. 4 Stainless Steel
COUNTER BALANCE	Adjustable Helical Torsion Springs
HOOD	16-gauge No. 4 Stainless Steel
WARRANTY	OEM Limited Warranty
LABEL	UL 1-1/2 Hour Class B Label

OPTIONS:

- UL Listed Brush-Type Smoke Seal
- Photoelectric or Ionization-type Smoke Detectors
- Slide Bolts or Cylinder Locking Bottom Bar with Mortise Cylinders



Flat Slat

22 gauge steel or stainless steel



If you need a fire resistant rolling shutter call us-



AmericanDoor.com
(631) 586-8006 (718) 895-6136
 9 LUCON DR, DEER PARK, NY 11729

