

BGDSA ADJUSTABLE HEAD PAD DOCK SEAL

FEATURES AND SPECIFICATIONS

Designed to seal 8' wide x 10' high door openings that accommodate a broad range of trailer heights. Two foam side pads close the gap between the building wall and the trailer while an adjustable foam head pad creates a tight seal at the top. A torsion spring with an integral follower curtain ensures airtight protection throughout the cargo handling process.

Standard units seal trailers 11' to 13.5' high on a typical 4' dock height.

STANDARD FEATURES:

- 10" projection
- 22 oz. Hi-Tear vinyl base fabric
- Adjustable head pad measuring 96" wide x 10" projection x 10" high, plus 36" travel
- High visibility 24" yellow guide stripe
- Waterproof wraparound design with vapor barrier
- Compression release holes
- Condensation draining vents
- 99% memory foam
- Galvanized mounting hardware

For maximum value and performance, the BGDSA can be constructed from our premium durability fabrics (see chart for materials, weights, and available colors).

ADDITIONAL OPTIONS INCLUDE:

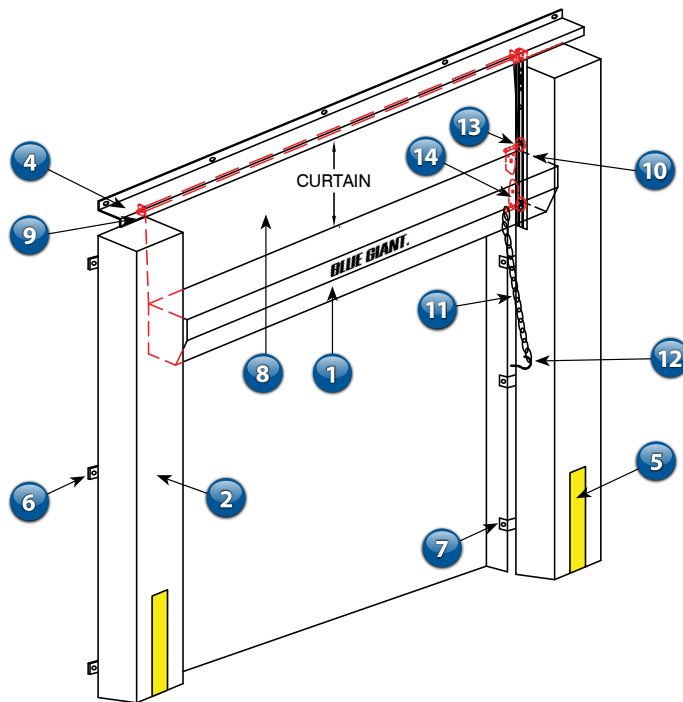
- 48" travel in head pad
- 4", 8", or 16" wear flaps / pleats to suit site requirements
- Pressure-treated lumber



BGDSA Adjustable Head Pad Dock Seal

FABRIC AND COLOR SELECTION:

| | | | | |
|-----------------------------|---|---|---|---|
| 22oz Hi-Tear Vinyl | ■ | ■ | ■ | ■ |
| 40oz Hi-Tear Vinyl | ■ | ■ | ■ | ■ |
| 50oz Hi-Tear Vinyl | ■ | | | |
| 16oz Hi-Performance Hypalon | ■ | | | |
| 40oz Hi-Performance Hypalon | ■ | | | |



| No. | DESCRIPTION |
|-----|-------------------------------|
| 1 | Adjustable head pad |
| 2 | Side pad |
| 3 | Wood backboard – Kiln dried † |
| 4 | Galvanized steel canopy |
| 5 | 4" x 24" yellow guide stripes |
| 6 | Flat bracket |
| 7 | Angle bracket |
| 8 | Header follower curtain |
| 9 | Torsion spring assembly |
| 10 | Track assembly |
| 11 | Pull chain |
| 12 | Screw hook |
| 13 | LHR Bracket |
| 14 | Long stem roller |

*Some items displayed may be optional
† Not shown on drawing

BLUE GIANT
BLUE GIANT EQUIPMENT CORPORATION

Corporate 85 Heart Lake Road South
Brampton, ON, Canada L6W 3K2
t 905.457.3900 f 905.457.2313

USA 6350 Burnt Poplar Road
Greensboro, NC 27409
www.BlueGiant.com

AUTHORIZED DEALER

Blue Giant offers a full line of dock levelers, dock safety equipment, seals and shelters, accessories, ergonomic and scissor lift equipment and industrial trucks. Concurrent with our continuing product improvement program, specifications are subject to change without notice. Please contact Blue Giant for latest information. Some features illustrated may be optional in certain market areas.